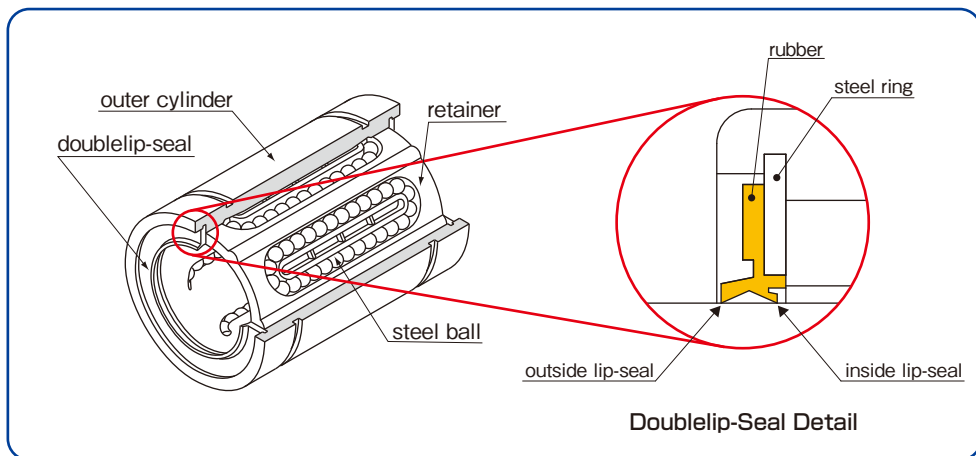


NB SLIDE BUSH

Doublelip-seal Z Option

Reducing Grease Leakage! Good for Ecology by Grease Saving

Structure



Part Number Structure

SM 16 G ZZ

ZZ: doublelip-seals on both sides

Applicable Part Number

- SM(S)6~30
- TRF6~30
- * ZZ option is available for standard type, long type, double-wide type, flange type, etc.
Please refer to NB general catalog for details.

Advantages

A doublelip-seal is a combination of outside lip-seal and inside lip-seal. Outside lip-seal prevents foreign particles from entering the bush. Inside lip-seal prevents grease from leaking out of the bush.

By the doublelip-seal, the seal resistance shall be increased by some margin.

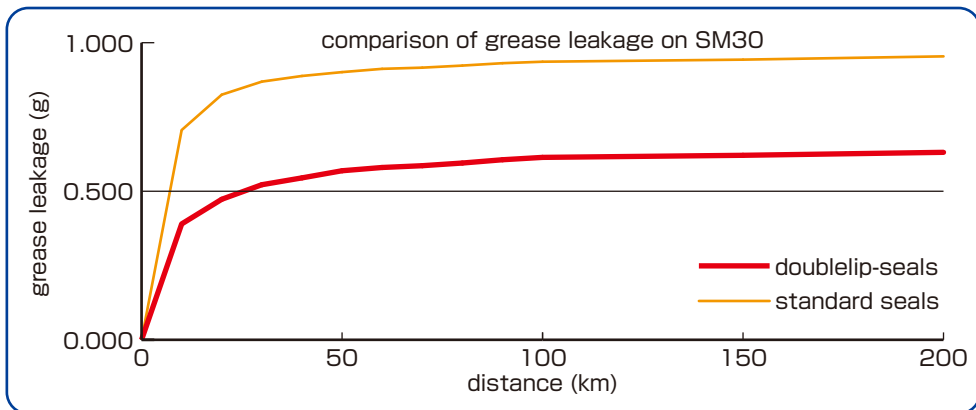
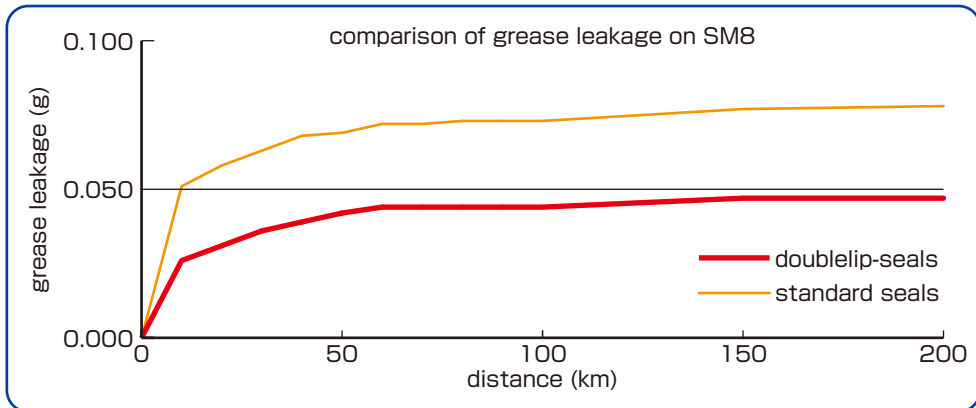


NIPPON BEARING CO., LTD.

Grease-leak Comparison Test

Reference Data

test conditions: horizontal axis, applied load (no load),
maximum speed (60m/min), stroke (300mm)



NIPON BEARING CO., LTD.

2833 Chiya, Ojima-city, Niigata-pref., 947-8503 JAPAN
 Phone:+81 (0)258-82-0011 FAX:+81 (0)258-81-1135
 Overseas direct call:+81 (0)258-82-5709
<http://www.nb-linear.co.jp>

NB Corporation of America

930 Muirfield Drive, Hanover Park, IL60133
 Phone:(630)295-8880 FAX:(630)295-8881
 TOLL FREE:(800)521-2045
<http://www.nbcorporation.com>
info@nbcorporation.com

Western Regional Office

46750 Lakeview Blvd. Fremont,
 CA 94538
 Phone:(510)490-1420
 FAX:(510)490-1733
 TOLL FREE:(888)562-4175

Eastern Regional Office

41 Orchard Street, Ramsey,
 NJ07446
 Phone:(201)236-3886
 FAX:(201)236-5112
 TOLL FREE:(800)981-8190

NB Europe B.V.

Boekweitstraat 21, 2153 GK Nieuw-Vennep, The Netherlands
 Phone:+31 (0)252-463-200 FAX:+31 (0)252-463-209
<http://www.nbeurope.com>
info@nbeurope.com

Reproduction Prohibited